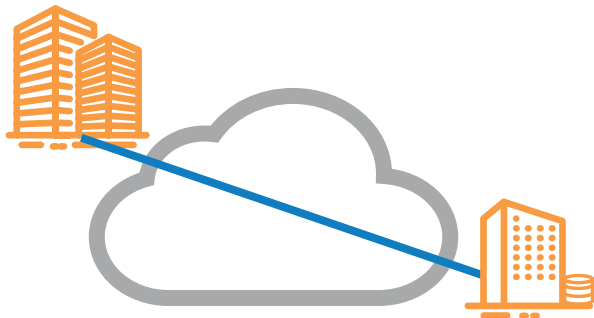


Bluebird Network Ethernet

Fly Faster with Bluebird's Ethernet Services

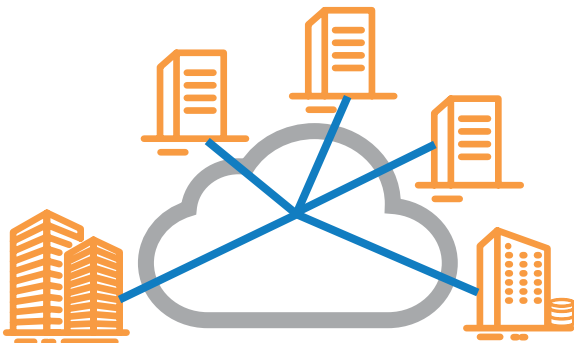
Ethernet is the standard when it comes to data formatting and transmission. Utilizing our PoP to PoP built MPLS engineered network, you can expect superior protection for your business's connectivity.



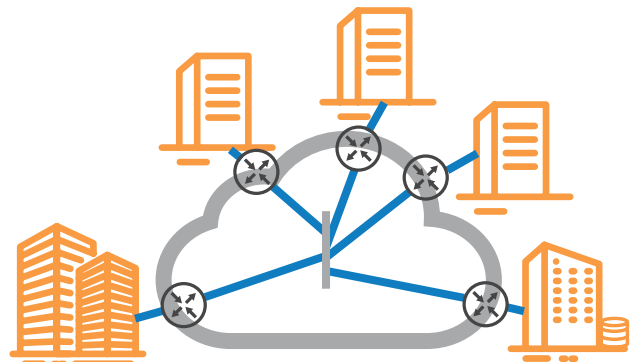
E-Line EPL



E-Line EVPL



E-LAN



EVP-LAN

Ethernet is right for your business if:

- You need to efficiently connect nonadjacent locations to form a seamless and secure network environment.
- Your business utilizes bandwidth-hungry applications.
- You want to simplify the network infrastructure within your business or organization.
- You need centralized network management.
- You need consistent monitoring and troubleshooting for your customers.
- You need fast and scalable connections to cloud-based services and applications.

Bluebird's Ethernet Services

- Our Layer 2 ethernet services range from 50 Mbps to 10 Gbps and include:
 - E-Line Services
 - EPL
 - EVPL
 - E-LAN
 - EP-LAN
 - EVP-LAN
- Mobile Backhaul Transport

A Closer Look at Our Ethernet Services

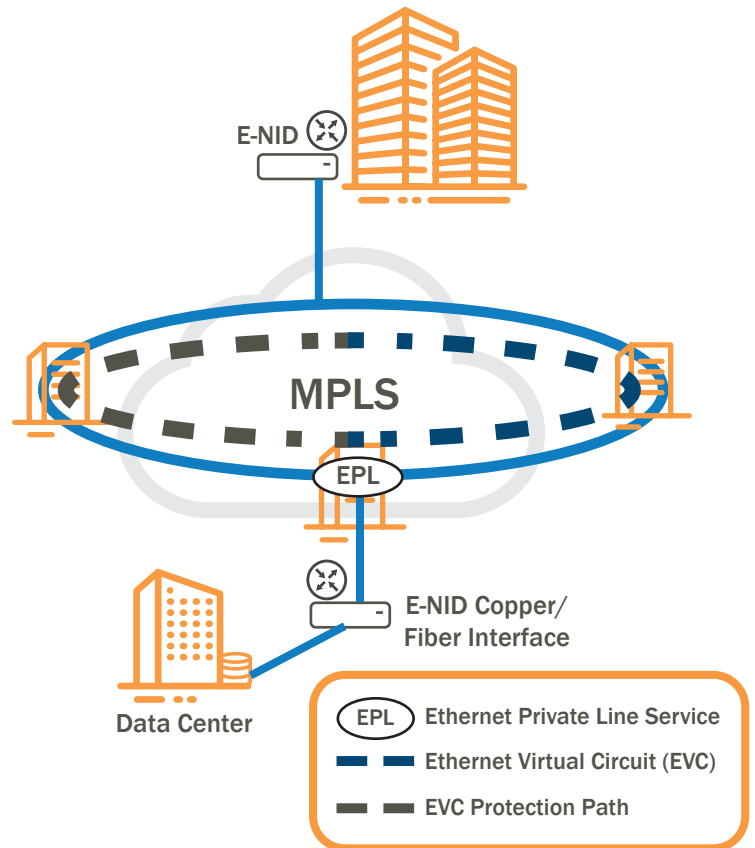
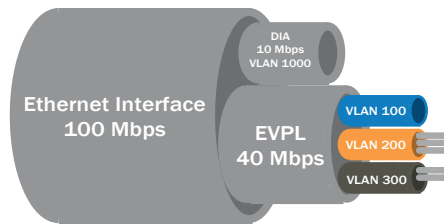
Bluebird Ethernet

Ethernet Private Line (EPL): EPL is a point-to-point service delivered on a dedicated port at each end point.

Ethernet Virtual Private Line (EVPL): EVPL is a point-to-point service delivered on a virtual port (VLAN) at each end point. Virtual connections save physical port space on the routers, and all traffic flows back to your company's headquarters.

Ethernet Private Local Area Network (EP-LAN): E-LAN is an any-to-any service that can be either port based or VLAN based. This service is ideal for multi-site businesses with branches that need to share information.

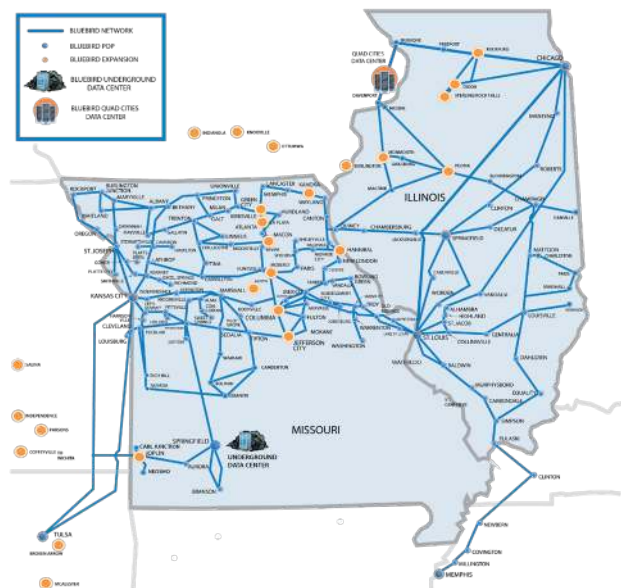
Mobile Backhaul Transport: This SONET-based network architecture keeps Wireless Service Providers (WSPs) connected to cell sites and Mobile Telephone Switching Offices (MTSO) while providing scalability with our DS1 bandwidth through 100 Gbps wavelengths.



Bluebird Network Overview

Company Summary

- Nine-state fiber optic network
- Network enabled up to 400 Gbps
- 10,000+ route miles of fiber
- Access to over 82,000 business locations
- 151 Points of Presence (PoPs)
- Dense fiber footprints in major metro hubs such as Kansas City, St. Louis, Columbia, Rockford, Bloomington, Peoria, and the Quad Cities
- Connected to regional internet exchanges
- Two strategically placed data centers, both carrier neutral facilities
- Access to 220+ Cloud Onramps
- 61% of data center energy from renewable sources
- Wide range of data center services available including colocation, remote hands, cloud connect and more



About Bluebird Network

Bluebird Network is a communications infrastructure provider and data center operator. Since 1999, Bluebird Network, headquartered in Columbia, Missouri, has provided internet and transport services, via its fiber infrastructure, to Carriers and Enterprises in Missouri, Illinois, Kansas, Iowa, and the surrounding states. Bluebird owns two data centers: an underground facility in Springfield, MO, and a facility in the Quad Cities. Bluebird operates over 10,000 fiber route miles of high-speed broadband and fiber-optic connections with over 82,000 on-net and near-net buildings and 151 Points of Presence (PoP) sites spanning the Midwest, including the major cities of Chicago, St. Louis, Kansas City, Springfield (MO and IL), Tulsa, Peoria, Rockford, Bloomington, Normal and the Quad Cities. To learn more, please visit Bluebirdnetwork.com and follow us on LinkedIn, Facebook, and Twitter.